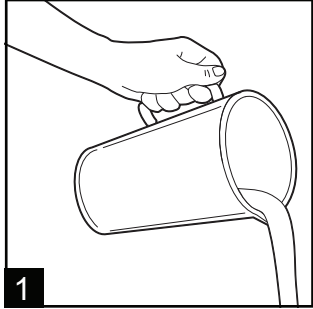
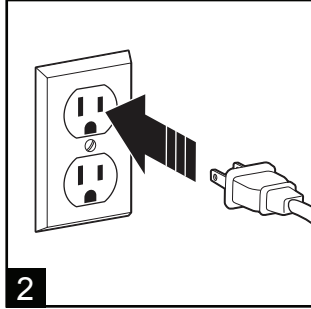


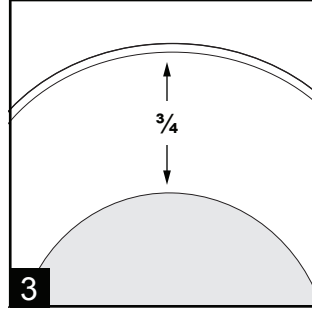
## HOW TO OPERATE FOUNTAIN



**1** Pour at least two gallons of clear beverage in lower reservoir. **NOTICE:** To avoid restricted flow, clear any pulp, seeds, fruits and rinds.



**2** Plug beverage fountain into a standard electrical outlet and switch ON. **NOTICE:** Beverage fountains must be plugged in different outlets and circuits.



**3** Refill the fountain or turn the fountain OFF when lower reservoir is less than a 1/4 full. **NOTICE:** Do not run the fountain dry.

## HOW TO PREPARE BEVERAGE

- Pre-cool beverage to at least 36°F (2°C) before adding to fountain. Carbonated beverages will dissipate after 10-20 minutes of circulation. Add smaller quantities of mixtures to the fountain gradually to maintain carbonation.
- Chill the beverage by placing ice cubes freely in lower reservoir or a plastic bag to prevent diluting.

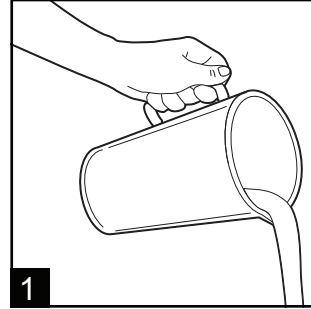
## TROUBLESHOOTING

PROBLEM	QUICK FIX
<i>No circulation</i>	<ul style="list-style-type: none"> <li>• If beverage does not circulate within 1 minute, switch OFF for 10 seconds and repeat until the beverage flows freely.</li> <li>• Pour a small amount of beverage into top reservoir with switch ON until pump is activated.</li> </ul>

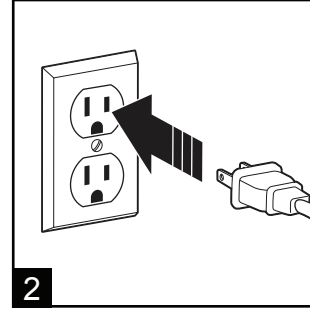
## BEFORE RETURNING

- Empty fountain and fill lower reservoir with 2 gallons of warm water and let circulate for five minutes. Empty unit and repeat again. It is not necessary to dismantle the fountain.
- Do not use scouring pads or any type of abrasive to clean fountain.
- Do not immerse fountain base in water.

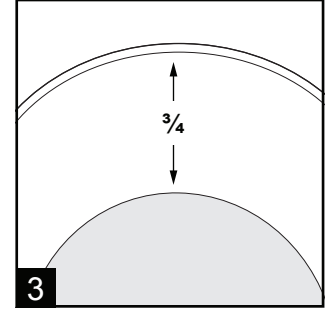
## HOW TO OPERATE FOUNTAIN



**1** Pour at least two gallons of clear beverage in lower reservoir. **NOTICE:** To avoid restricted flow, clear any pulp, seeds, fruits and rinds.



**2** Plug beverage fountain into a standard electrical outlet and switch ON. **NOTICE:** Beverage fountains must be plugged in different outlets and circuits.



**3** Refill the fountain or turn the fountain OFF when lower reservoir is less than a 1/4 full. **NOTICE:** Do not run the fountain dry.

## HOW TO PREPARE BEVERAGE

- Pre-cool beverage to at least 36°F (2°C) before adding to fountain. Carbonated beverages will dissipate after 10-20 minutes of circulation. Add smaller quantities of mixtures to the fountain gradually to maintain carbonation.
- Chill the beverage by placing ice cubes freely in lower reservoir or a plastic bag to prevent diluting.

## TROUBLESHOOTING

PROBLEM	QUICK FIX
<i>No circulation</i>	<ul style="list-style-type: none"> <li>• If beverage does not circulate within 1 minute, switch OFF for 10 seconds and repeat until the beverage flows freely.</li> <li>• Pour a small amount of beverage into top reservoir with switch ON until pump is activated.</li> </ul>

## BEFORE RETURNING

- Empty fountain and fill lower reservoir with 2 gallons of warm water and let circulate for five minutes. Empty unit and repeat again. It is not necessary to dismantle the fountain.
- Do not use scouring pads or any type of abrasive to clean fountain.
- Do not immerse fountain base in water.